

# 040-0800 Push Button Handle Product Family



This new Push Button Handle Family is specifically designed for off-highway vehicle applications that require a surface mounted exterior push button handle. Its modular design provides versions that include mechanical locking, state sensing, power locking and capacitive sensing with the same mounting and space claim allowing upgrades across OEM platforms and model differentiation.

### DESIGNED FOR:

- Medium to heavy-duty agricultural and construction personnel doors
- Off-highway vehicle applications that require a direct release surface mounted exterior push button handle

040-0800	Pushbutton Handle
040-0850	Pushbutton Handle with Power Locking
040-0870	Pushbutton Handle with Capacitive Sensing

### Global Locations:

**TriMark Corporation**  
500 Bailey Avenue  
P.O. Box 350  
New Hampton, Iowa 50659  
United States  
Tel: 641-394-3188  
Fax: 641-394-2392  
1-800-447-0343  
www.trimarkcorp.com

**TriMark Europe**  
Unit 3 Sence Court  
Bardon Hill  
Coalville  
Leicestershire LE67 1GZ  
United Kingdom  
Tel: +44(0)1530 512460  
Fax: +44(0)1530 512461  
www.trimarkeu.com

**TriMark (Xuzhou)**  
Building A5 Jingwu Road  
Xuzhou Economic  
Development Zone  
Xuzhou, Jiangsu  
221004 PR China  
Tel: +86 516 8773 0018  
Fax: +86 516 8773 0058  
www.trimarkcn.com



TriMark. Interactive. Product. Selector



TriMark



TriMark Corporation



TriMark Corporation

### FEATURES/BENEFITS:

- This Modular Product offering allows the OEM to offer different level of Features/Benefits in a Push Button Handle family
- Utilizes a similar mounting pattern and space claim as TriMark's 020-0850/870 Pull Handle family and provides a choice between a push button and pull handle type product with similar functionality
- Easy to operate (ergonomics) with gas injection molded handle for smooth grip area
- Full gloved hand clearance
- 15.8mm (.625") button travel - readily adaptable to a variety of door thickness with an adjustable bolt and nut
- Water resistant to IP65
- Automotive Locking function with detent
  - ◇ 45° CCW rotation to lock/45° W rotation to unlock
  - ◇ Button is rigid when locked

### AVAILABLE:

- Can be keyed alike with most single and reversible key systems or keyed random
- With gasket to facilitate mounting and provide resistance to water and dirt infiltration (sold separately)

### MATERIAL:

- Handle and base: Glass reinforced nylon
- Mounting details - brass inserts

### INSTALLATION:

- Easy to install - suitable for mounting to glass, steel and composite doors
  - ◇ Similar mounting pattern as TriMark's 020-0850/870 Pull Handle - mounts against glass with only two holes or steel with conventional mounting (Note: This Push Button has a slightly different cutout for steel doors)
    - ◆ 120mm - 3 bolt pattern (34mm) wide M6 x 1.0 bolts (not included)
  - ◇ Recommended mounting fastener torque to be 9.0 - 11.0 N-m (79--97 lbf-in)

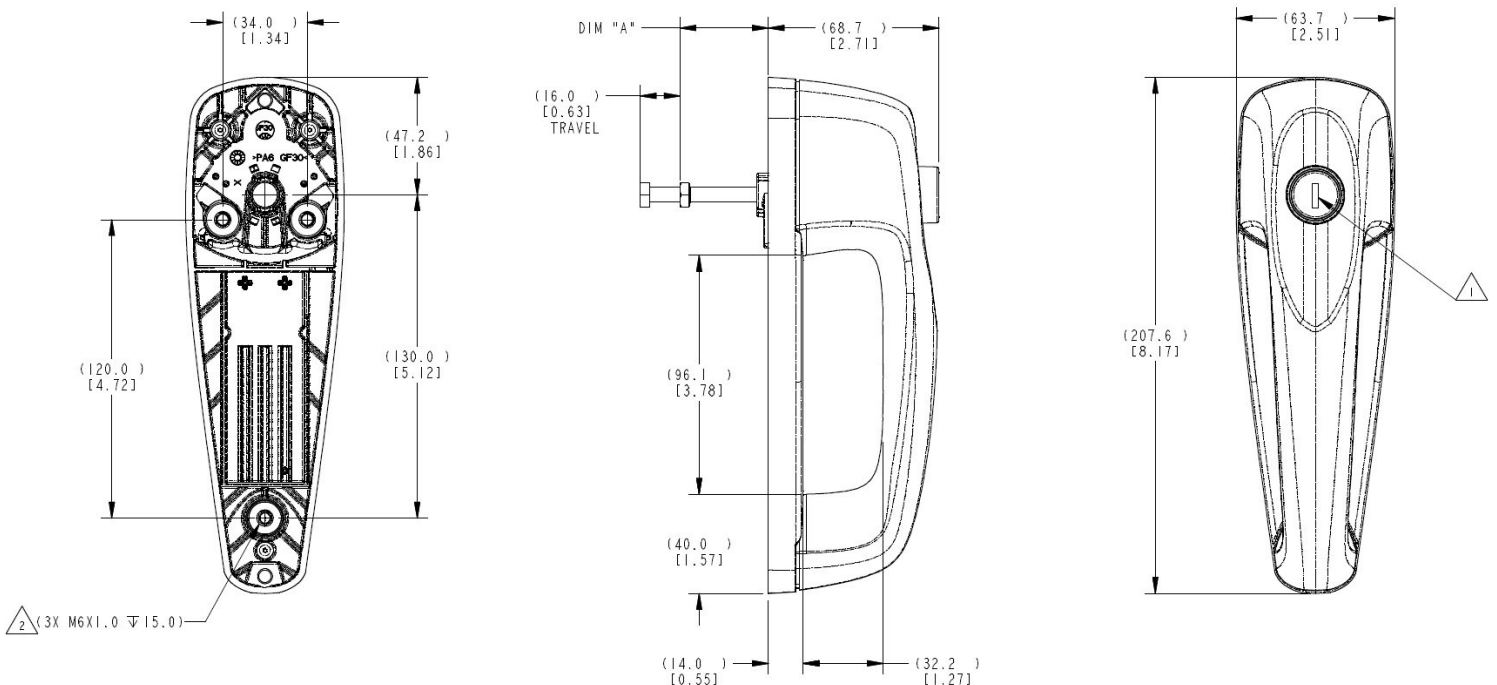
### Patent Pending

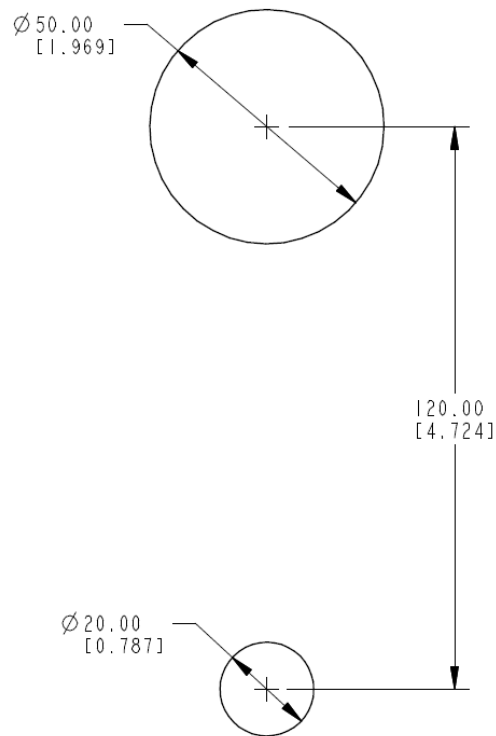
**CAUTION:** Product does not meet the locking requirements for FMVSS 206 (ECE R11).

Individual part dimensions are for reference only. Refer to individual part drawings for complete dimensions, specifications, and installation procedures. Engineering assistance and application drawings are available.

For more information visit  
[www.trimarkcorp.com](http://www.trimarkcorp.com)

Dim A: 33.5 - 37.5



**Recommended Glass  
Mounting Hole Pattern**

**Recommended Steel  
Mounting Hole Pattern**
